

# 3MP Smart PT Camera

## Uho-S2E-M3



### Key Features



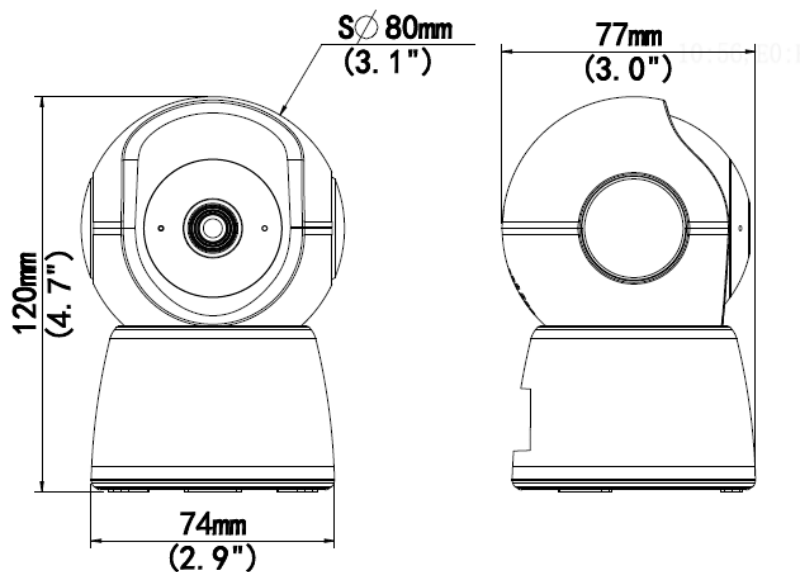
- High quality image with 3MP, 1/3"CMOS sensor
- 3MP (2304\*1296)@25/20/15fps; 2MP (1920\*1080)@30/25/15fps; 720P (1280\*720) @30/25/15fps
- H.265, H.264
- Built-in Mic
- IR night vision, up to 10m (33ft) IR distance
- Support 256 G Micro SD card

## Specifications

	Uho-S2E-M3	
<b>Camera</b>		
Sensor	1/3", 3.0 megapixel, progressive scan, CMOS	
Minimum Illumination	Colour: 0.02 lux (F2.0, AGC ON) 0 lux with IR on	
Day/Night	IR-cut filter with auto switch (ICR)	
Shutter	Auto/Manual, 1/4 ~ 1/100000s	
Adjustment angle	Pan: 0° ~ 340°	Tilt: -5° ~ 55°
WDR	DWDR	
S/N	>52dB	
<b>Lens</b>		
Lens Type	4.0mm @F2.0	
Iris	Fixed	
Angle of View (H)	86.0°	
Angle of View (V)	46.0°	
Angle of View (O)	104.0°	
<b>Illuminator</b>		
IR Range	Up to 10m (33ft)	
Wavelength	850nm	
IR On/Off Control	Auto/Manual	
<b>Video</b>		
Video Compression	H.265, H.264	
H.264 code profile	Baseline profile, Main profile, High profile	
Frame Rate	Main Stream: 3MP (2304*1296), Max 25fps; 2MP (1920*1080), Max 30fps; 720P (1280*720), Max 30fps; Sub Stream: 640*360, Max 25fps; 2CIF(704*288), Max 25fps; CIF(352*288), Max 25fps;;	
Video Bit Rate	128 Kbps~6144 Kbps	
Video stream	Dual streams	
<b>Events</b>		
Basic Detection	Human body detection, Motion detection, Audio Detection	
Auto tracking	Support	
<b>Storage</b>		
Edge Storage	Micro SD, up to 256GB	
<b>Audio</b>		
Audio Compression	G.711U, G.711A	
Audio Bitrate	64 Kbps	
Two-way Audio	Support	
Suppression	Support	
Sampling Rate	8KHZ	
<b>Network</b>		
Wi-Fi	2.4G Wi-Fi (IEEE802.11b/g/n), built-in antenna	
Compatible Integration	ONVIF (Profile S, Profile G, Profile T), API	
Client	EZStation	

	UNV-Link
<b>Interface</b>	
Audio I/O	N/A
Alarm I/O	N/A
Built-in Mic	Support
Built-in Speaker	Support
WIFI	Support
Network	1 * RJ45 10M/100M Base-TX Ethernet
Video Output	N/A
<b>Certifications</b>	
Safety	CE LVD (EN 62368-1) CB (IEC 62368-1)
EMC	CE-EMC (EN 55032,EN 61000-3-3,EN IEC 61000-3-2,EN 55035) FCC (FCC 47 CFR part15 B)
Environment	CE-RoHS (2011/65/EU;(EU)2015/863); WEEE (2012/19/EU)
RF	FCC ID (FCC CFR 47 part15 C) CE RED (EN 301 489-1, EN 301 489-17, EN 300 328, EN 62311)
<b>General</b>	
Power	DC 5V/1A
	Micro USB interface
Dimensions (Ø x H)	Ø80 x 120mm (Ø3.1" x 4.8")
Weight	0.18kg(0.40lb)
Working Environment	-10°C~55°C(-14°F ~ 131°F), Humidity: ≤95% RH (non-condensing)
Storage Environment	-10°C~55°C(-14°F ~ 131°F), Humidity: ≤95% RH (non-condensing)
Surge Protection	4KV
Reset Button	Support
LED indicator	1, red/blue

## Dimensions



[www.uniview.com](http://www.uniview.com)

©2023 Zhejiang Uniview Technologies Co., Ltd. All rights reserved.

\*Product specifications and availability are subject to change without notice.